

AVC-DH52VLT

VARIFOCAL LENS INDOOR IR DOME CAMERA

**ANALOG
CAMERA**



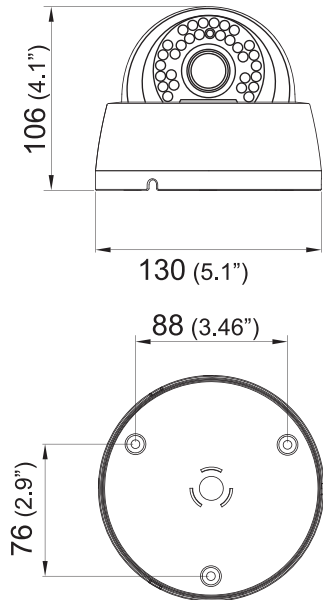
FUNCTION

- 1/3" 960H INTERLINE TRANSFER TYPE COLOR CCD SENSOR
- HIGH RESOLUTION 700TV LINE
- 2.8~12mm DC AUTO IRIS LENS (ICR-OPTION)
- 30 IR LEDS
- 0.0001LUX at F1.2 (SENS-UP X 1024)
- BUILT-IN OSD CONTROLLER, 2nd BNC CONNECTOR & HEATER
- 3DNR (DIGITAL NOISE REDUCTION)
- DC 12V(±10%) / AC 24V



DIMENSION

* Unit : mm (Inch)



SPECIFICATION

DESCRIPTION	NTSC	PAL
IMAGE SENSOR	1/3" 960H IT CCD	
EFFECTIVE PIXEL	976(H) x 494(V)	976(H) x 582(V)
SCANNING SYSTEM	2:1 INTERLACE	
SYNCHRONIZATION	INTERNAL	
HORIZONTAL RESOLUTION	700TV LINES	
VIDEO OUTPUT	COMPOSITE (1.0V _{pp} /75ohm)	
S/N (Y SIGNAL)	52dB (AGC OFF)	
MIN. ILLUMINATION	0.0001Lux at F1.2 (SENS-UP x 1024)	
LENS	2.8~12mm DC IRIS VARIFOCAL LENS (ICR-OPTION)	
ELECTRONIC SHUTTER	1/60 ~ 120,000 sec	1/50 ~ 120,000 sec
BACKLIGHT COMPENSATION	BLC / HSBLC / OFF	
WHITE BLANCE	ATW / PUSH / USER1 / USER2 / ANTI CR / MANUAL / PUSH LOCK	
DAY & NIGHT	COLOR / AUTO / B/W / EXT1 / EXT2	
PRIVACY MASKING	ON / OFF (8 ZONES)	
DNR	OFF / LOW / MIDDLE / HIGH	
SMART IR	ON / OFF	
SENS UP	OFF / x1 ~ x512	
MOTION	ON / OFF (4 POINTS)	
DEFECT DET	ON / OFF	
IR LED	30PCS	
INPUT VOLTAGE	DC 12V(±10%) / AC 24V	
POWER CONSUMPTION	DC IR OFF : 130mA(±10%) / IR ON : 450mA(±10%) AC IR OFF : 120mA(±10%) / IR ON : 350mA(±10%)	
OPERATING TEMP. / HUM.	-10°C ~ +50°C / MAX 90% RH	
STORAGE TEMP. / HUM.	-20°C ~ +60°C / MAX 90% RH	